

Differential Pair Surge Protection

PTG-20 Series

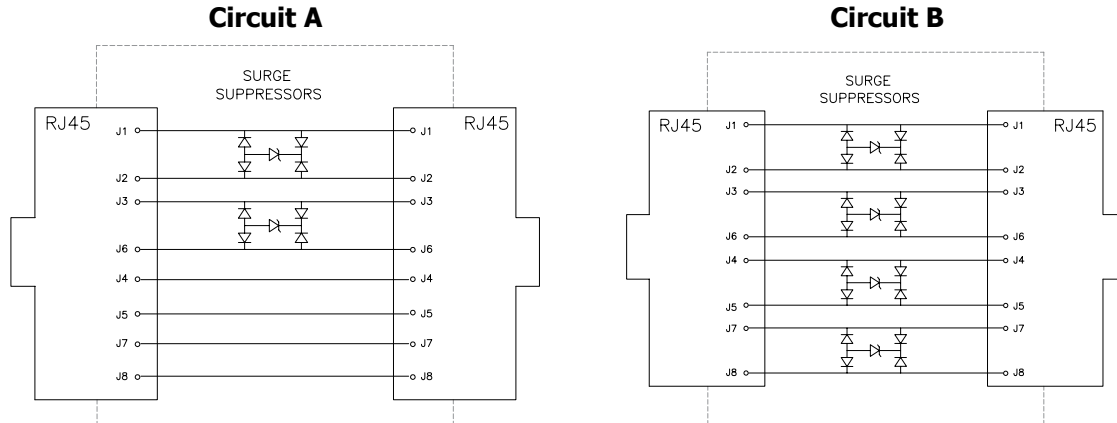


Differential Surge Protection

- » ESD Protection
- » UL Recognized Components
- » Passive Protection - No Power
- » No Grounding Required
- » IEEE802.3 Compliant
- » Plug and Play Installation
- » With or Without Mounting Tabs

The PTG-20 series of Intra-Building lightning strike protectors provides low cost differential surge protection in an easy-to-use, in-line design. This series of protector is compatible to IEEE802.3 applications with low capacitance and fast response time.

Circuit Drawings



UL94V-0 materials

Pro-Tek5 PN	Mounting Tabs	Application	Isolation	Operating Temperature	Circuit
PTG-20101003	No	10BASE-T, 10/100BASE-TX	N/A	-40 / +85°C	A
PTG-20101003T	Yes	10BASE-T, 10/100BASE-TX	N/A	-40 / +85°C	A
PTG-201G0004	No	Gigabit	N/A	-40 / +85°C	B
PTG-201G0004T	Yes	Gigabit	N/A	-40 / +85°C	B

Please contact info@haloelectronics.com to request part specific datasheets.

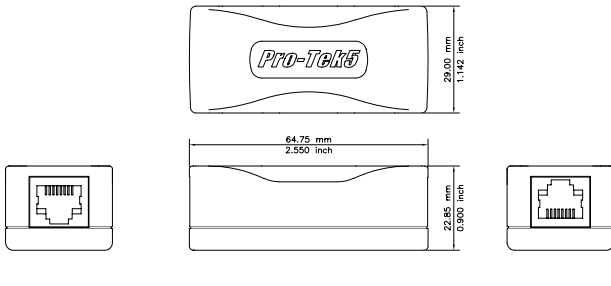
Differential Pair Surge Protection

PTG-20 Series

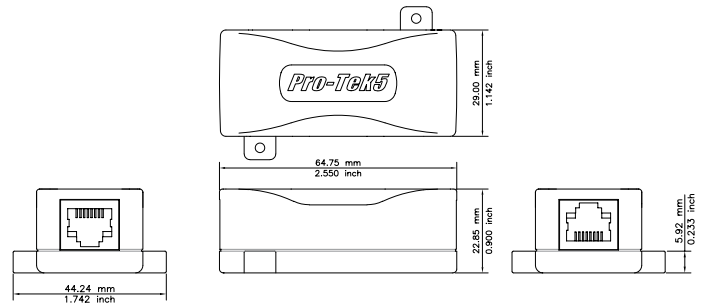
Differential Surge Protection

Mechanical Drawings

Without Mounting Tabs



With Mounting Tabs



PRO-TEK5

Pro-Tek5 Systems, Ltd. products are available exclusively through HALO Electronics, Inc and HALO's franchised distributors. For more information, please contact HALO Electronics at (650) 903-3800 or info@haloelectronics.com.