

## Inter-Building Lightning Strike Protection

PTG-5T Series

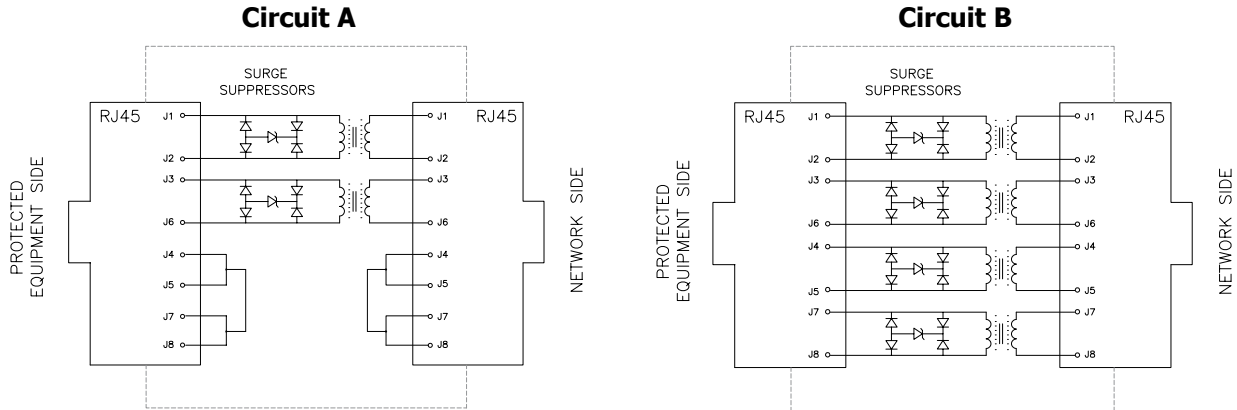


### Ethernet Isolator Inter-Building Lightning Strike Protection

- » 5KV Galvanic Isolation
- » Reinforced Insulation
- » Inter-Building Lightning Protection
- » UL Recognized Components
- » Passive Protection - No Power
- » No Grounding Required
- » IEEE802.3 Compliant
- » Enhanced Insertion and Return Loss
- » Plug and Play Installation
- » With or Without Mounting Tabs

The PTG-5T series is an advanced lightning strike protector providing 5KV isolation as well as common and differential protection to each of the data pairs. This series of protectors meets the surge requirements of GR1089 for Inter-building lightning strike events while providing full IEEE802.3 compliant return loss and insertion loss performance. UL recognized reinforced insulation transformers are used to achieve a high level of isolation along with a minimum of 8.5mm of creepage and clearance distance.

### Circuit Drawings



UL94V-0 materials

Pro-Tek5 PN	Mounting Tabs	Application	Isolation	Operating Temperature	Circuit
PTG-5T101011	No	10BASE-T, 10/100BASE-TX	5kV	-10 / +85°C	A
PTG-5T101011T	Yes	10BASE-T, 10/100BASE-TX	5kV	-10 / +85°C	A
PTG-5T1G0012	No	Gigabit	5kV	-10 / +55°C	B
PTG-5T1G0012T	Yes	Gigabit	5kV	-10 / +55°C	B

Please contact [info@haloelectronics.com](mailto:info@haloelectronics.com) to request part specific datasheets.

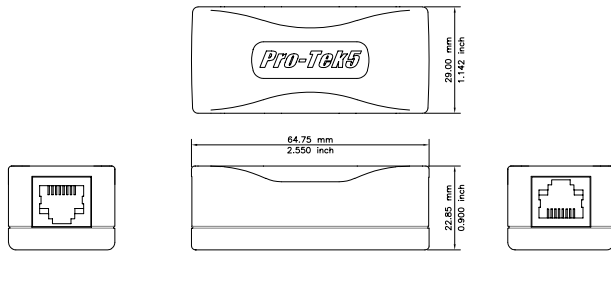
# Inter-Building Lightning Strike Protection

Ethernet Isolator  
Inter-Building Lightning  
Strike Protection

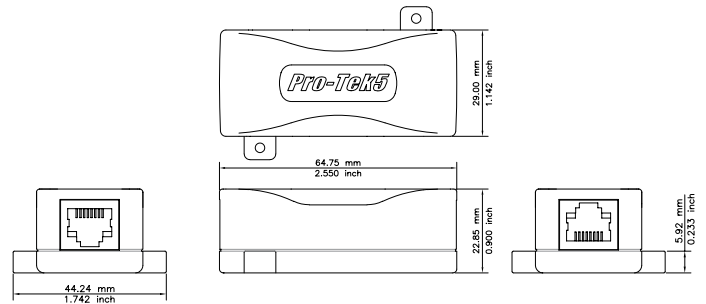
PTG-5T Series

## Mechanical Drawings

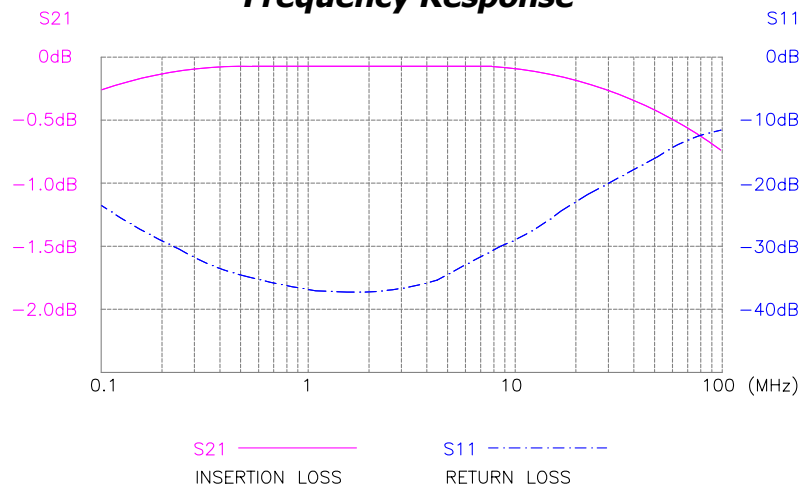
### Without Mounting Tabs



### With Mounting Tabs



## Frequency Response



**PRO-TEK5**

Pro-Tek5 Systems, Ltd. products are available exclusively through HALO Electronics, Inc and HALO's franchised distributors. For more information, please contact HALO Electronics at (650) 903-3800 or [info@haloelectronics.com](mailto:info@haloelectronics.com).