

Intra-Building Lightning Strike Protection

PTG-2T Series

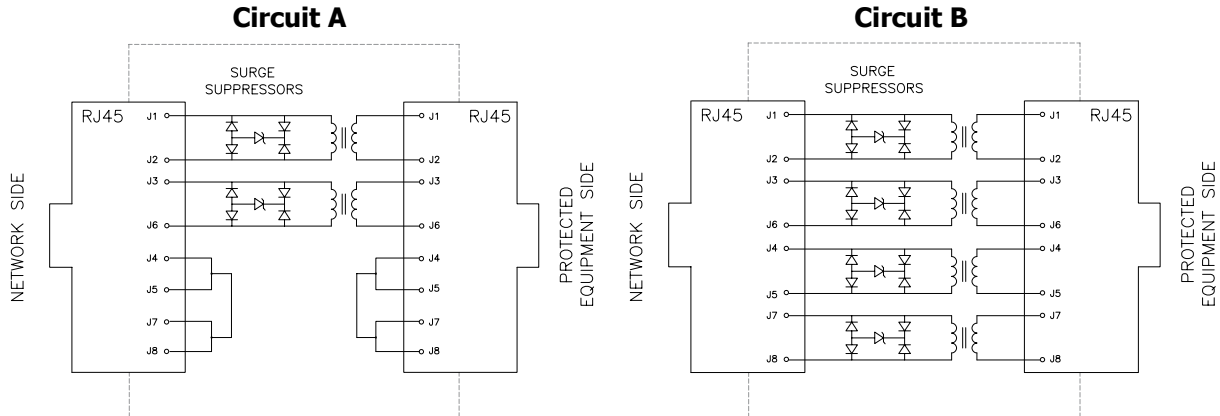


Ethernet Isolator Intra-Building Lightning Strike Protection

- » 1.5kV Galvanic Isolation
- » ESD/Surge Protection
- » Inter-Building Lightning Protection
- » UL Recognized Components
- » Passive Protection - No Power
- » No Grounding Required
- » IEEE802.3 Compliant
- » Plug and Play Installation
- » With or Without Mounting Tabs

The PTG-2T series of lightning strike protector provides GR1089 Intra- building compliant common and differential protection to each of the data pairs in an easy-to-use, in-line design. The Pro-Tek5 Systems lightning strike protector series has been designed to meet the return loss requirements of IEEE802.3 enabling full transmit and receive communication distances.

Circuit Drawings



UL94V-0 materials

Pro-Tek5 PN	Mounting Tabs	Application	Isolation	Operating Temperature	Circuit
PTG-2T101007	No	10BASE-T, 10/100BASE-TX	1.5kV	-40 / +85°C	A
PTG-2T101007T	Yes	10BASE-T, 10/100BASE-TX	1.5kV	-40 / +85°C	A
PTG-2T1G0008	No	Gigabit	1.5kV	-40 / +55°C	B
PTG-2T1G0008T	Yes	Gigabit	1.5kV	-40 / +55°C	B

Please contact info@haloelectronics.com to request part specific datasheets.

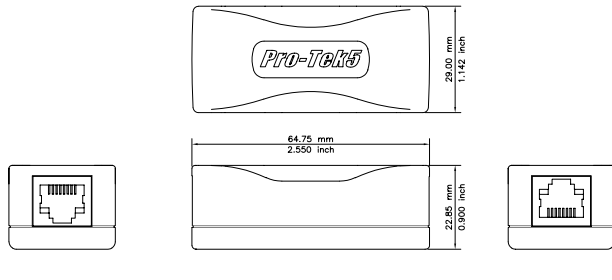
Intra-Building Lightning Strike Protection

Ethernet Isolator
Intra-Building Lightning Strike Protection

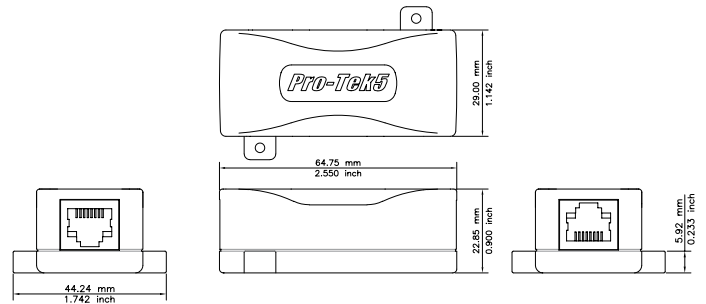
PTG-2T Series

Mechanical Drawings

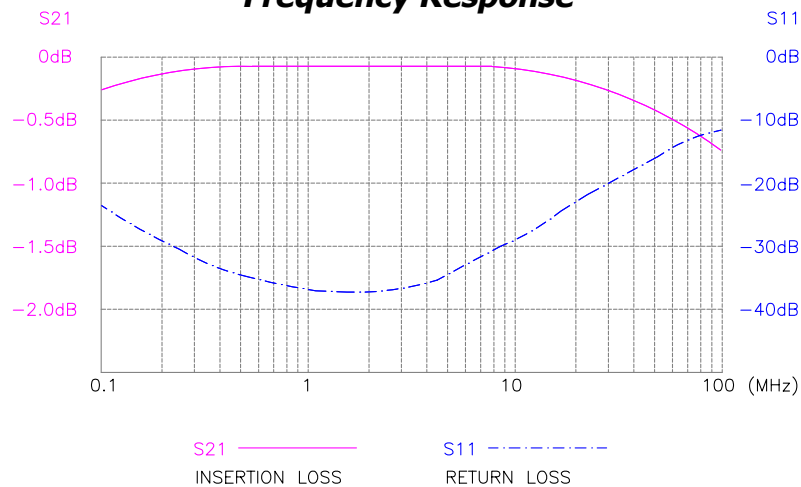
Without Mounting Tabs



With Mounting Tabs



Frequency Response



PRO-TEK5

Pro-Tek5 Systems, Ltd. products are available exclusively through HALO Electronics, Inc and HALO's franchised distributors. For more information, please contact HALO Electronics at (650) 903-3800 or info@haloelectronics.com.