

Reinforced 5kV Ethernet Isolators

PTI Series



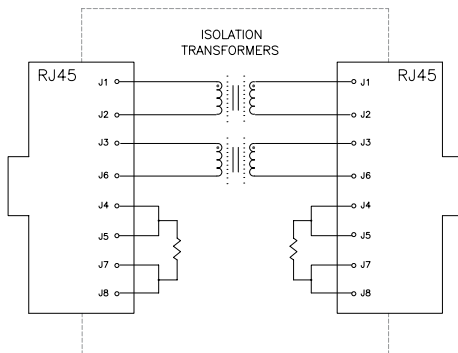
Ethernet Isolator 5kV Reinforced Isolation

- » 5kV Galvanic Isolation
- » Reinforced Insulation
- » UL Recognized Components
- » Passive Protection - No Power
- » No Grounding Required
- » IEEE802.3 Compliant
- » Enhanced Insertion and Return Loss
- » Plug and Play Installation
- » With or Without Mounting Tabs

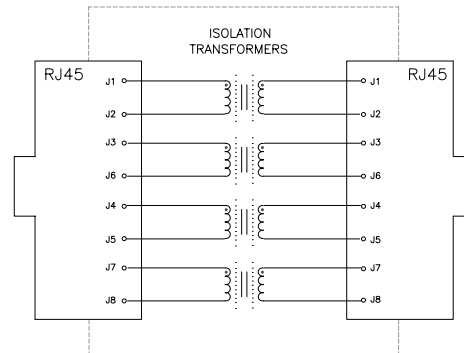
The Pro-Tek5 Systems Ethernet Isolator affords a convenient method of creating 5KV isolation to equipment located in an Ethernet cabling system. The Pro-Tek5 Systems Ethernet Isolator provides IEEE802.3 compliant return loss and insertion loss performance while meeting the most stringent isolation requirements. UL recognized reinforced insulation transformers are used to achieve a high level of isolation along with a minimum of 8.5mm of creepage and clearance distance.

Circuit Drawings

Circuit A



Circuit B



UL94V-0 materials

Pro-Tek5 PN	Mounting Tabs	Application	Isolation	Operating Temperature	Circuit
PTI-45101001	No	10BASE-T, 10/100BASE-TX	5kV	-10 / +85°C	A
PTI-45101001T	Yes	10BASE-T, 10/100BASE-TX	5kV	-10 / +85°C	A
PTI-451G0002	No	Gigabit	5kV	-10 / +85°C	B
PTI-451G0002T	Yes	Gigabit	5kV	-10 / +85°C	B

Please contact info@haloelectronics.com to request part specific datasheets or for technical support.

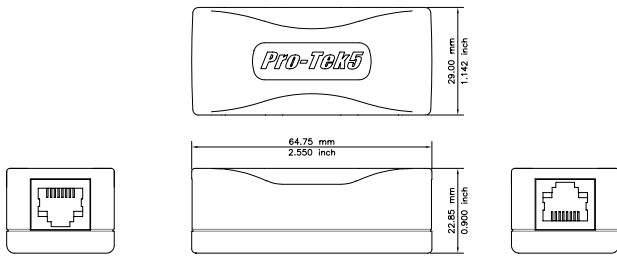
Reinforced 5kV Ethernet Isolators

PTI Series

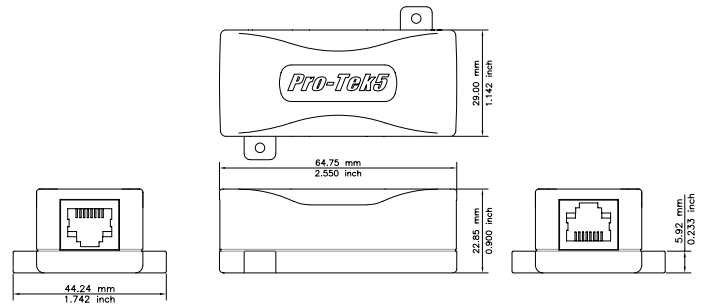
Ethernet Isolator
5kV Reinforced Isolation

Mechanical Drawings

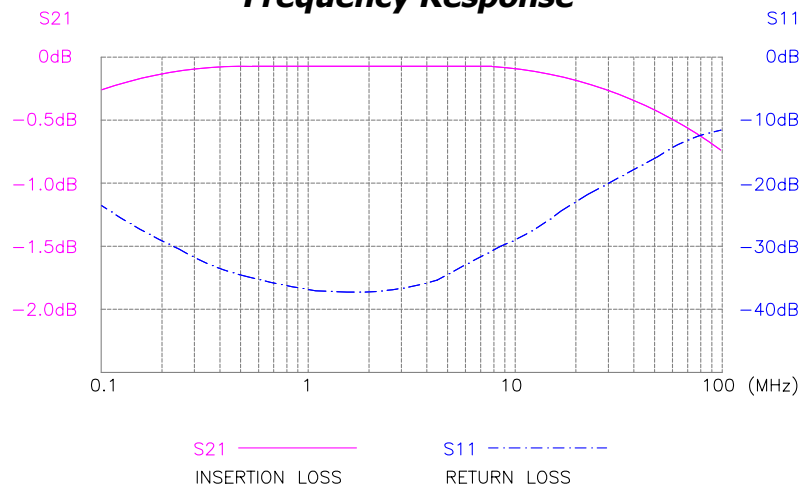
Without Mounting Tabs



With Mounting Tabs



Frequency Response



PRO-TEK5

Pro-Tek5 Systems, Ltd. products are available exclusively through HALO Electronics, Inc and HALO's franchised distributors. For more information, please contact HALO Electronics at (650) 903-3800 or info@haloelectronics.com.