

Reinforced 5kV Ethernet Isolators w/ ESD Protection

PTE Series

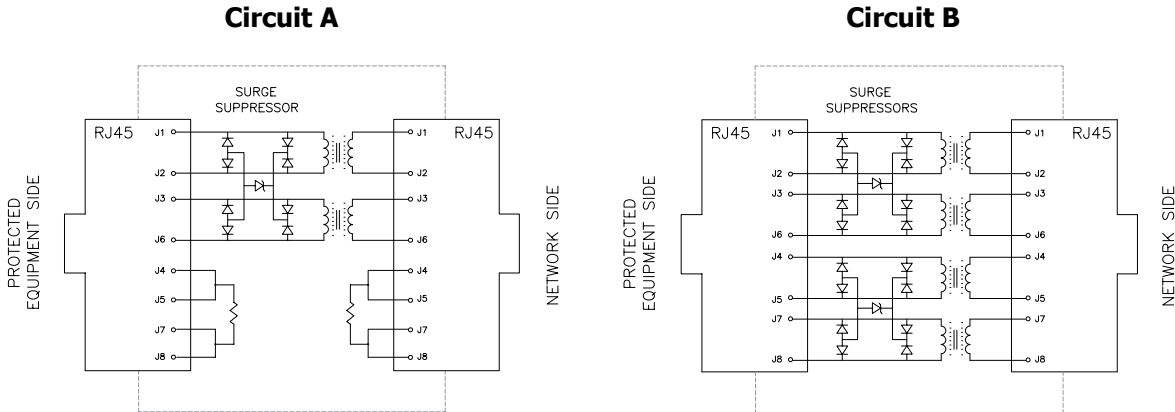


**Ethernet Isolator
5kV Reinforced Isolation
+ ESD Protection**

- » 5kV Galvanic Isolation
- » Reinforced Insulation
- » ESD Protection
- » UL Recognized Components
- » Passive Protection - No Power
- » No Grounding Required
- » IEEE802.3 Compliant
- » Enhanced Insertion and Return Loss
- » Plug and Play Installation
- » With or Without Mounting Tabs

The PTE-5T series is an advanced ESD protector providing 5kV isolation as well as common and differential ESD protection to each of the data pairs. This series of protectors is ideal for critical medical and Industrial Ethernet applications requiring full IEEE802.3 compliant return loss and insertion loss performance. UL recognized reinforced insulation transformers are used to achieve a high level of isolation along with a minimum of 8.5mm of creepage and clearance distance.

Circuit Drawings



UL94V-0 materials

| Pro-Tek5 PN | Mounting Tabs | Application | Isolation | Operating Temperature | Circuit |
|---------------|---------------|-------------------------|-----------|-----------------------|---------|
| PTE-5T101009 | No | 10BASE-T, 10/100BASE-TX | 5kV | -10 / +85°C | A |
| PTE-5T101009T | Yes | 10BASE-T, 10/100BASE-TX | 5kV | -10 / +85°C | A |
| PTE-5T1G0010 | No | Gigabit | 5kV | -10 / +85°C | B |
| PTE-5T1G0010T | Yes | Gigabit | 5kV | -10 / +85°C | B |

Please contact info@haloelectronics.com to request part specific datasheets.

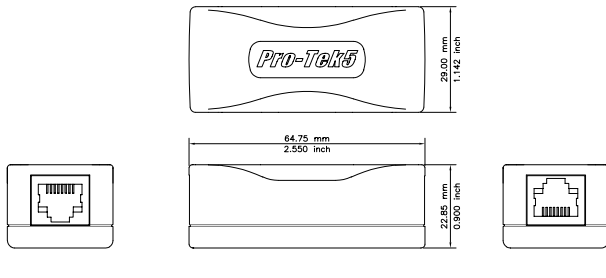
Reinforced 5kV Ethernet Isolators w/ ESD Protection

**Ethernet Isolator
5kV Reinforced Isolation
+ ESD Protection**

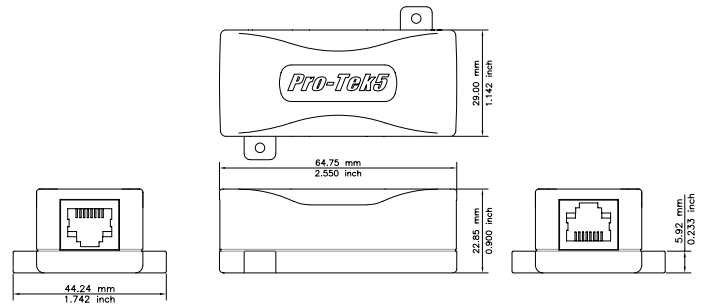
PTE Series

Mechanical Drawings

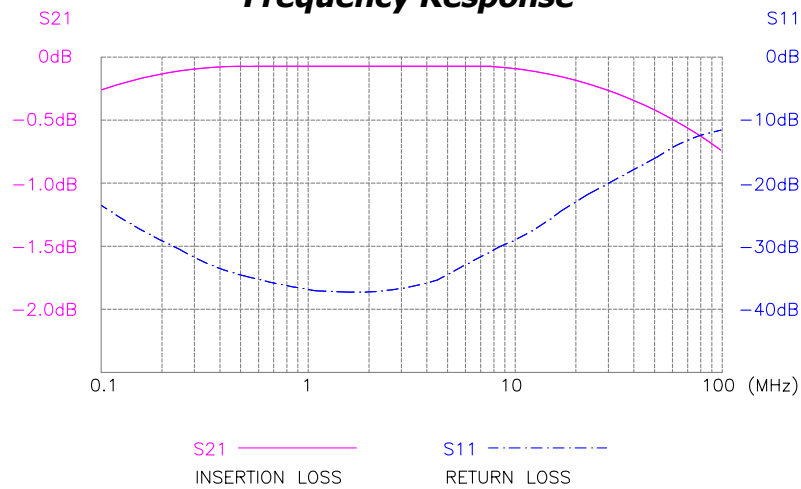
Without Mounting Tabs



With Mounting Tabs



Frequency Response



Pro-Tek5 Systems, Ltd. products are available exclusively through HALO Electronics, Inc and HALO's franchised distributors. For more information, please contact HALO Electronics at (650) 903-3800 or info@haloelectronics.com.