

PRO-TEK5

Isolator II™ - 1G & 2.5G Gigabit Series

Reinforced Insulation, 5KV Isolation, 1G/2.5G Isolators



Reinforced Multi-Gigabit Ethernet Isolator

- » 5kV Reinforced Galvanic Isolation
- » Miniature Size
- » 14mm Min. Creepage & Clearance
- » 2xMOPP
- » Passive Protection (No Power Required)
- » Available with ESD or Inter-Building Lightning Protection
- » IEEE802.3ab/bz Compliant
- » Plug and Play Installation
- » Mounting Accessories Available



*W/ wall mount accessory

*W/ panel mount accessory

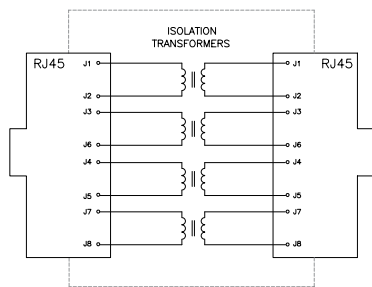
The Pro-Tek5 Systems 1G/2.5G Isolator II™ series provides excellent performance in a miniaturized package. IEEE802.3ab/bz compliance is achieved in 3 different levels of protection - Isolation, Isolation with ESD protection or Isolation with GR1089 Inter-Building Lightning Strike protection.

Pro-Tek5 PN	Data Rate	Application	Isolation	Operating Temperature	Circuit
PTI2-1G001	1G	1G Isolator	5kV	-10 / +70°C	A
PTE2-1G003	1G	1G Isolator w/ ESD Protection	5kV	-10 / +70°C	B
PTG2-1G002	1G	1G Isolator w/ Lightning Protection	5kV	-10 / +55°C	C
PTI2-2G001	2.5G	2.5G Isolator	5kV	-10 / +70°C	A
PTE2-2G003	2.5G	2.5G Isolator w/ ESD Protection	5kV	-10 / +70°C	B
PTG2-2G002	2.5G	2.5G Isolator w/ Lightning Protection	5kV	-10 / +55°C	C

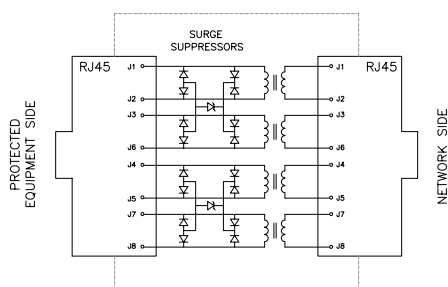
- PTI2-1G001 and PTI2-2G001 are not marked with network or equipment text.
- Accessory part numbers can be found on page 3 and include applicable mounting screws/nuts
- Please contact info@haloelectronics.com to request part specific datasheets.

Circuit Drawings

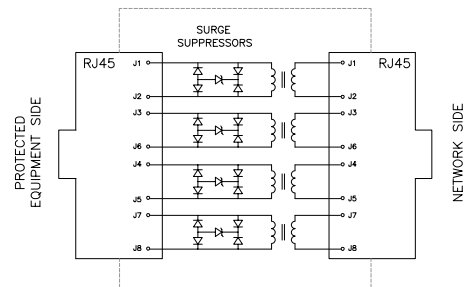
Circuit A



Circuit B



Circuit C

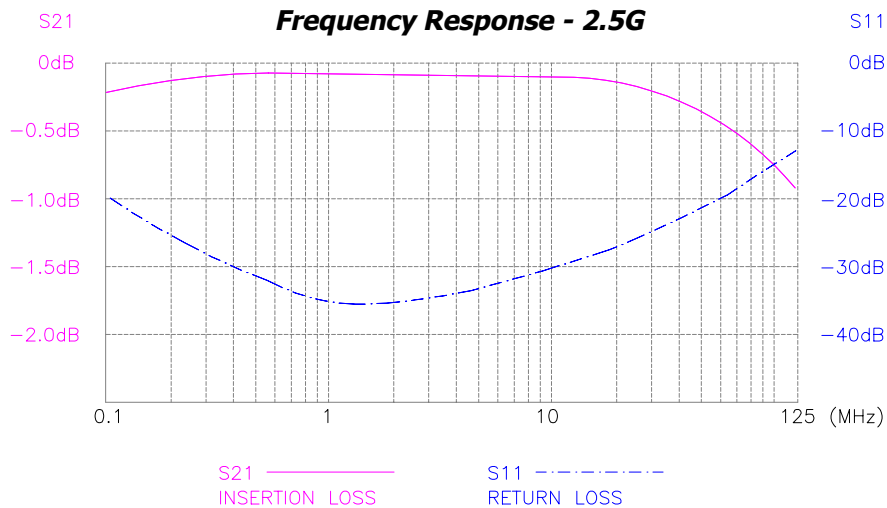
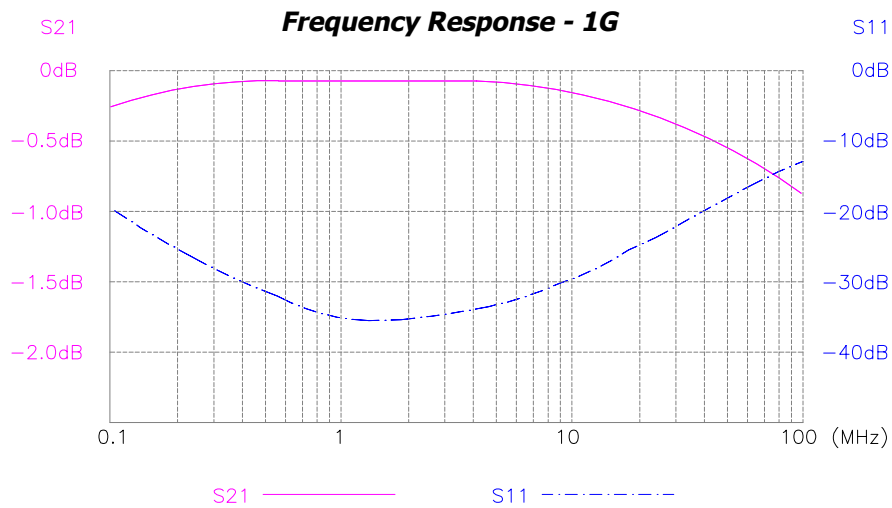
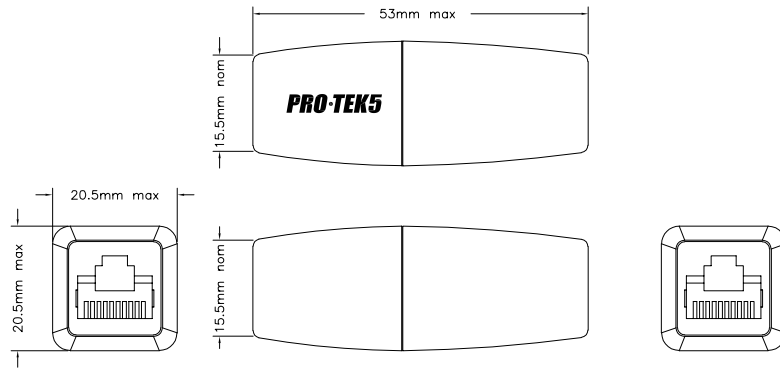


Reinforced Insulation, 5KV Isolation, Gigabit Isolators

Reinforced Multi-Gigabit
Ethernet Isolator

Isolator II™ - 1G/2.5G Series

Mechanical Drawings



Reinforced Insulation, 5KV Isolation, Gigabit Isolators

Reinforced Multi-Gigabit
Ethernet Isolator

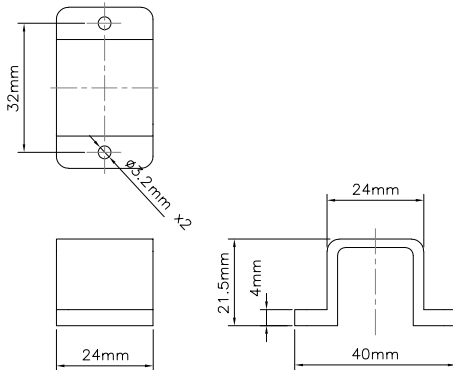
Isolator II™ - 1G/2.5G Series

Mounting Accessories

Wall Mount

PN: PTA-01

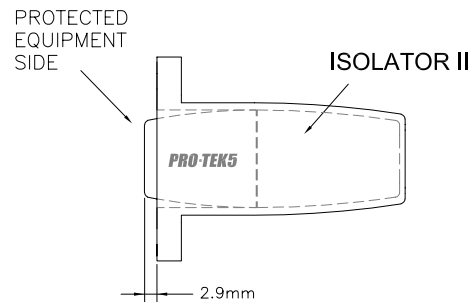
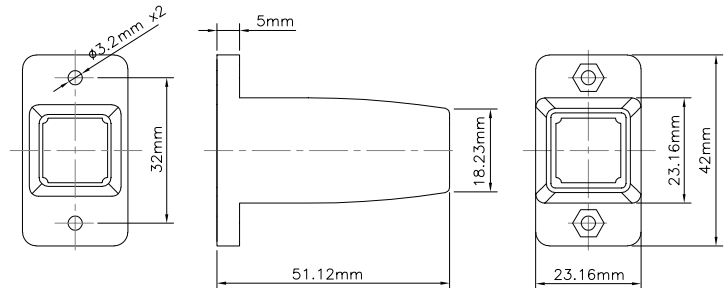
(Includes Pan-Head Screw x2, Self Tapping, M3 x12mm)



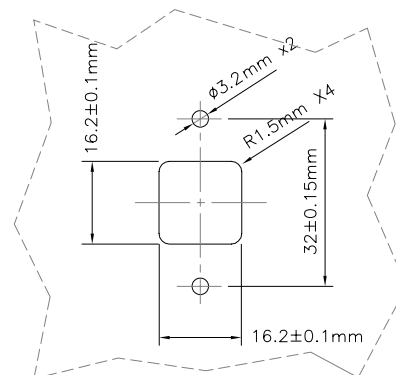
Panel Mount

PN: PTA-02

(Includes Pan-Head Screw x2, M3 x10mm, Nut x2 M3)



Panel Cutout



PRO-TEK5

Pro-Tek5 Systems, Ltd. products are available exclusively through HALO Electronics, Inc and HALO's franchised distributors. For more information, please contact HALO Electronics at (650) 903-3800 or info@haloelectronics.com.